

"A Trusted Partner in Pump Solutions"

RVI 80 SERIES

Vertical Inline Pumps



RVI80 SERIES VERTICAL INLINE PUMPS

Rotech Vertical Inline Pumps are close coupled pumps designed for easy installation and can be mounted to a pipe line. The Suction and Discharge connections are on the same center line in opposite direction at 180° apart.

- ▶ Pump Adaptors are interchangeable with same series of pump sizes.
- ▶ Pumps are supplied with mechanical seals.
- ▶ Flush line provided for the cooling of seal faces.

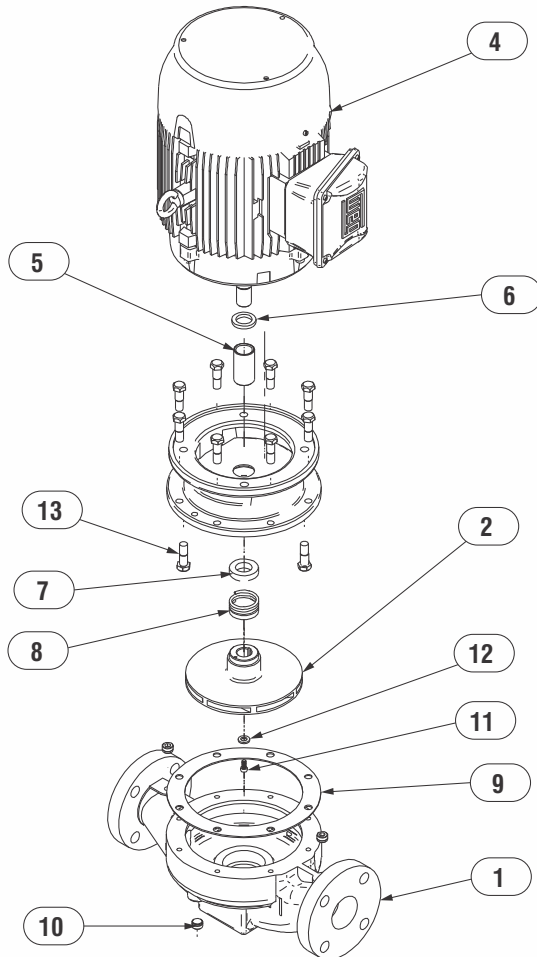
DESIGN FEATURES

- ▶ Easy to install without disturbing piping.
- ▶ Close coupled pumps, eliminates needs for extra Space, Rigid base or alignment.
- ▶ Can be installed vertically or Horizontally.
- ▶ Impeller is mounted on motor shaft , minimizes run out.

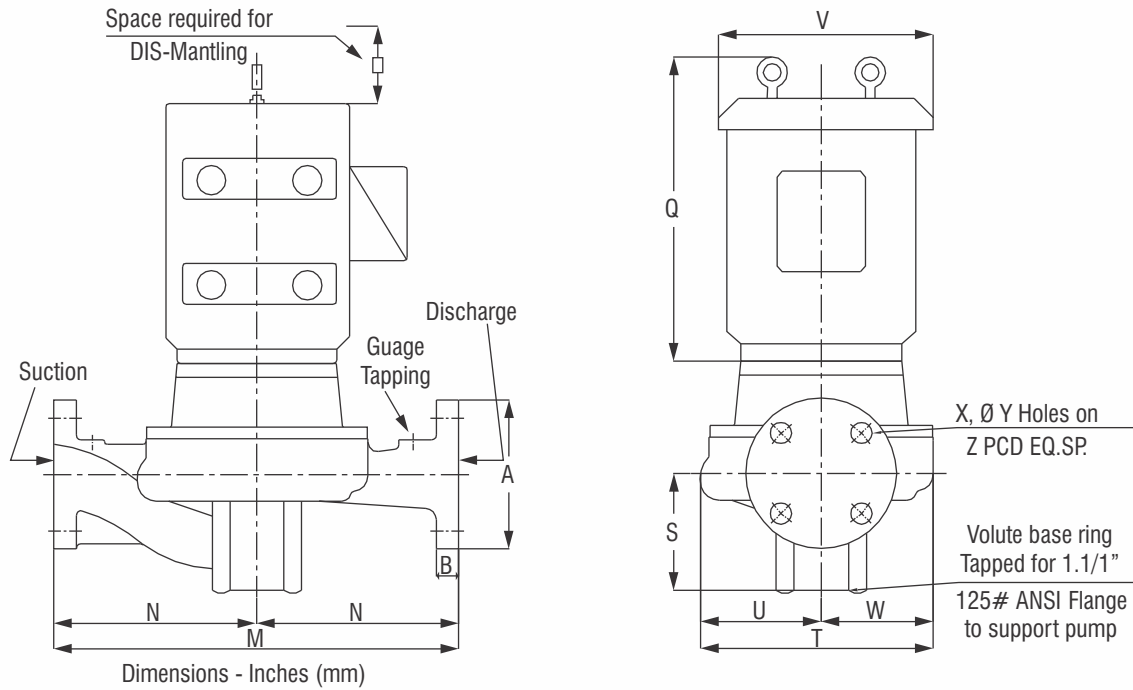
MAJOR APPLICATIONS

- ▶ Heating and Air conditioning.
- ▶ Pressure Boosting systems.
- ▶ Apartment building.
- ▶ Industrial Process Systems.
- ▶ General Circulating water services.

EXPLODED VIEW



ITEM	QTY	PART NAME	MATERIAL
1	1	Pump Casing	Cast Iron
2	1	Impeller	C.I. / Bronze / Stainless Steel
3	1	Adaptor	Cast Iron
4	1	Motor	Var
5	1	Shaft sleeve	Bronze or Stainless Steel
6	1	Slinger	Rubber
7	1	Mechanical, Seal, Stationery	Ceramic / EPDM cupset as standard
8	1	Mechanical, Seal Rotary	Carbon/EPDM Stainless retainer & spring as standard
9	1	Gasket	Non Asbesters
10	1	Plug	Steel
11	1	Impeller, Screw	Steel
12	1	Impeller, Washer	Brass
13	12	Bolt	Steel



PUMP DIMENSIONAL DATA

SIZE	125# ANSI		250# ANSI		N	M	W	U	S	T	125# ANSI			250# ANSI			S (max)*
	A	B	A	B							X	Y	Z	X	Y	Z	
1 1/2x1 1/2-7	5	9/16	6 1/8	13/16	8 (203)	16 (406)	4-3/4 (121)	4-5/8 (117)	4 3/8 (111)	9 3/8 (238)	3 7/8 (98)	4	5/8 (114)	4 1/2 (114)	4	7/8 (22)	1 1/2 (38)
2x2-7	6	5/8	6 1/2	7/8	8 1/2 (216)	17 (432)	5 1/4 (133)	4-3/4 (121)	4 7/8 (124)	10 (254)	4 7/8 (124)	4	3/4 (19)	5 (127)	8	3/4 (19)	1 1/2 (38)
2 1/2x2 1/2-7	7	11/16	7 1/2	1	9 (229)	18 (457)	5 (127)	5 5/8 (143)	5 1/4 (133)	10 5/8 (270)	5 1/2 (140)	4	3/4 (19)	5 7/8 (149)	8	7/8 (22)	1 1/2 (38)
3x3-7	7 1/2	3/4	8 1/4	1 1/8	9 1/2 (241)	19 (483)	5 1/4 (133)	6 1/4 (159)	5 1/2 (140)	11 1/2 (292)	6 (152)	4	3/4 (19)	6 5/8 (168)	8	7/8 (22)	1 1/2 (38)
4x4-7	9	15/16	10	1 1/4	10 1/2 (267)	21 (533)	6 3/4 (171)	5 1/4 (140)	6 3/8 (162)	12 1/4 (311)	7 1/2 (190)	8	3/4 (19)	7 7/8 (200)	8	7/8 (22)	1 1/2 (38)

X-PCD | Y - NO. OF HOLES | Z - DIAMETER OF HOLES

MOTOR DIMENSIONS

MOTOR FRAME	Q (max)	V
143JM	10.046 (255)	7 (178)
145JM	11.045 (280)	7 (178)
182JM	11.738 (298)	8.740 (222)
184JM	12.762 (324)	8.740 (222)
213JM	14.42 (366)	12.165 (309)

MOTOR FRAME	Q (max)	V
215JM	15.916 (404)	12.165 (309)
254JM	19.12 (485)	12.283 (312)
256JM	20.852 (530)	12.283 (312)
284JM	21.906 (556)	14.000 (355)
256JP	20.852 (530)	12.283 (312)

ITEM	143JM		154JM		182JM		184JM		213JM		215JM		254JM		256JM		284JM		256JP		
	R	P	R	P	R	P	R	P	R	P	R	P	R	P	R	P	R	P	R	P	
1 1/2x1 1/2-7	4-5/8 (117)	19.05 (117)	4-5/8 (117)	20.05 (510)	4-5/8 (117)	20.74 (527)	4-5/8 (117)	21.76 (553)	4-5/8 (117)	23.42 (595)	4-5/8 (117)	24.92 (633)	-	-	-	-	-	-	-	8-1/2 (216)	33.77 (858)
2x2-7	4-5/8 (117)	19.55 (497)	4-5/8 (117)	20.55 (522)	4-5/8 (117)	21.24 (540)	4-5/8 (117)	22.26 (565)	4-5/8 (117)	23.92 (608)	4-5/8 (117)	25.42 (645)	8-1/2 (216)	32.50 (825)	-	-	-	-	-	8-3/4 (222.4)	34.33 (872)
2 1/2x2 1/2-7	4-7/8 (124)	20.17 (512)	4-7/8 (124)	21.17 (540)	4-7/8 (124)	21.86 (555)	4-7/8 (124)	22.89 (852)	4-7/8 (124)	24.55 (625)	4-7/8 (124)	26.04 (660)	8-3/4 (222)	33.12 (840)	-	-	-	-	-	8-3/4 (222.4)	34.8 (884)
3x3-7	4-7/8 (124)	20.42 (520)	4-7/8 (124)	21.42 (545)	4-7/8 (124)	22.11 (562)	4-7/8 (124)	23.14 (588)	4-7/8 (124)	24.80 (630)	4-7/8 (124)	26.29 (668)	8-3/4 (222)	33.37 (848)	-	-	-	-	-	8-3/4 (222.4)	26.29 (892)
4x4-7	-	-	5-1/8 (130)	22.55 (573)	5-1/8 (130)	23.24 (590)	5-1/8 (130)	24.26 (616)	5-1/8 (130)	25.92 (658)	5-1/8 (130)	27.42 (696)	9 (229)	34.50 (876)	9 (229)	36.23 (920)	9 (229)	37.28 (947)	9 (229)	36.23 (920)	

ROTECH'S OTHER PRODUCTS

- ▶ DNJ Series End Suction Close Coupled Pumps
- ▶ DN Series End Suction Frame Mounted Pumps
- ▶ 1196 Series ANSI Chemical Process Pumps
- ▶ 1196LF series Low Flow ANSI Pumps
- ▶ 1296 Series ANSI Close Coupled Pumps
- ▶ 1796 Series ANSI Self Priming Pumps
- ▶ RCP Series End Suction Pumps
- ▶ RST Series Stainless Stamped End Suction Pumps
- ▶ RVMS Series Vertical Multistage Centrifugal Pumps
- ▶ SPT/SPU Series Self Priming Trash Pumps
- ▶ SCP/SFP Series Self Priming Pumps
- ▶ S100 Series Sanitary Centrifugal Pumps
- ▶ L100 Series Lobe Pumps
- ▶ RDSL Series Horizontal Multistage Centrifugal Pumps
- ▶ 3100 Series NPT & 5100 Series Flanged Ball Check Valves
- ▶ Various Mechanical Seals

Apart from the listed above,
we offer an array of other products too.
Contact us for further details.



"A Trusted Partner in Pump Solutions"

1320 Britannia Road East
Mississauga, Ontario, Canada. L4W 1C8

Phone: (905) 461-9617 | Fax: (905) 461-9618
Toll Free: 1-866-217-PUMP (7867)
Email: sales@rotechpumps.com | www.rotechpumps.com